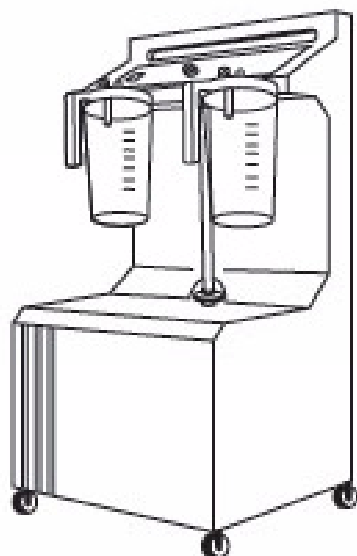


Mobile Electric High Vacuum Theatre Suction Unit

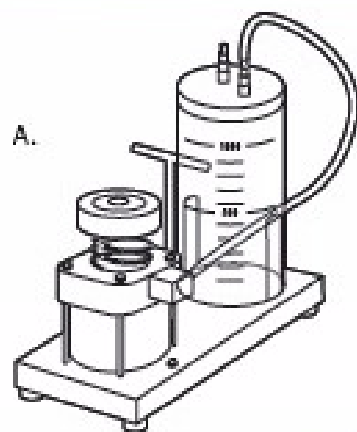


Description	Type	Part No.	Price Each
-------------	------	----------	------------

Mobile Electric High Vacuum Theatre Suction Unit with Two 2Ltr Collection Jars	Classic	FSE 700-120027	£ 1125.00
--	---------	----------------	-----------

	Premier	FSE 700-121027	£ 1320.00
--	---------	----------------	-----------

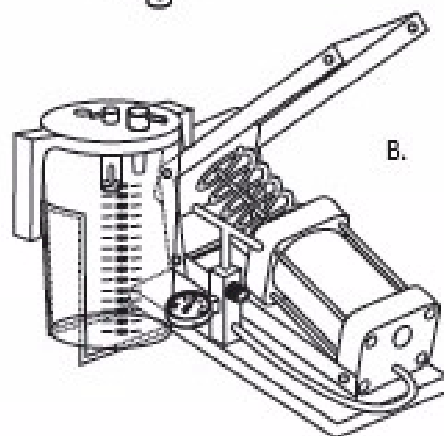
Foot/Hand Operated Suction



Description	Part No.	Price Each
-------------	----------	------------

A. Compact Emergency Foot/Hand Operated Suction Unit

With One Autoclavable Collection Jar – 1Ltr	FSF 050-240000	£ 168.60
---	----------------	----------



B. High Performance Emergency Foot/Hand Operated Suction Unit

With One Autoclavable Collection Jar – 1.5Ltr	FSF 100-110000	£ 258.20
---	----------------	----------