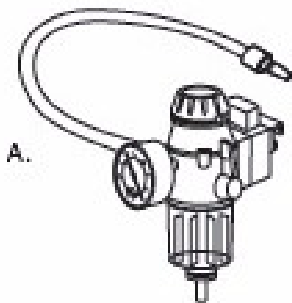


## Suction



A.

### Description

Part No.

Price Each

Suction Controller on rail clamp with remote BS Probe

A. High Suction

FSR 425-111215

£ 166.00

A. Low Suction

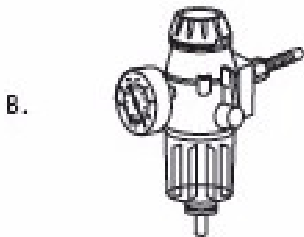
FSR 445-111215

£ 210.00

A. Thoracic Suction

FSR 465-111215

£ 245.00



B.

Suction Controller on Direct BS Probe

B. High Suction

FSR 425-111515

£ 134.00

B. Low Suction

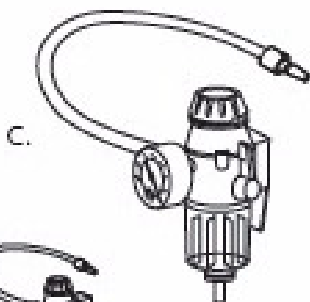
FSR 445-111515

£ 177.00

B. Thoracic Suction

FSR 465-111515

£ 212.00



C.

Suction Controller on Male 'V' Wedge with Remote BS Probe

C. High Suction

FSR 425-111715

£ 166.00

C. Low Suction

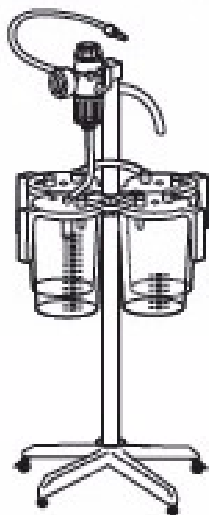
FSR 445-111715

£ 208.00

C. Thoracic Suction

FSR 465-111715

£ 242.00



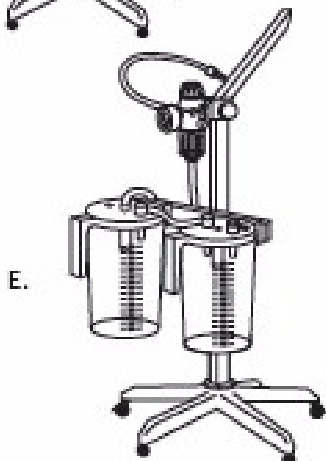
D.

**D. Mobile High Vacuum Suction Unit**

Suction Controller with Gauge, Disposable Bacterial Filter and Safety Overflow Valve. Four Autoclavable Jars 1800ml capacity.

FSP 480-121215

£ 498.00



E.

**E. Mobile High Vacuum Suction Unit**

Suction Controller with Gauge, Disposable Bacterial Filter and Safety Overflow Valve. Two Autoclavable Jars 1800ml capacity.

FSP 400-121215

£ 410.00